

Product Description

- Classic design trims available in 2 widths - 1" and 3"
- Trims made of high quality steel; painted trims have powder coated finishes
- Trim attaches directly to firebox easily and securely



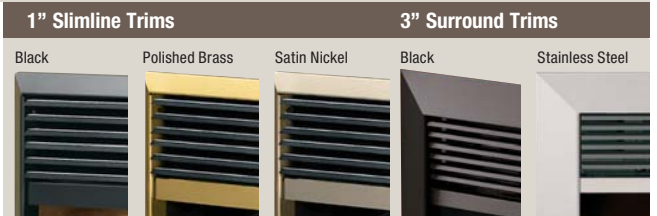
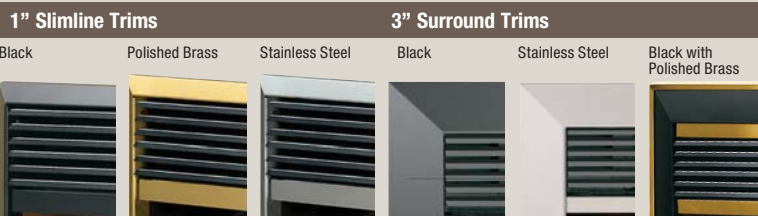
BF5000NT plug-in firebox shown in corner oak cabinet (BMP-252C-0) with black twin screen doors (ET26-2DR-BLK).



DF3003 plug-in 30" firebox shown in oak cabinet (BMP-272-0) with 1" slimline polished brass trim (SOT-1-PB).

26" Plug-in Firebox Trim Options

30" Plug-in Firebox Trim Options



Model	Description	Weight (lb/kg)
-------	-------------	----------------

1" Slimline Trims

ST-MHBLK-1	Black - 28 1/8" W x 23 5/8" H x 1 1/4" D	2.4 / 1.1
ST-MHPB-1	Polished Brass - 28 1/8" W x 23 5/8" H x 1 1/4" D	2.4 / 1.1
ST-MHSS-1	Stainless Steel - 28 1/8" W x 23 5/8" H x 1 1/4" D	2.4 / 1.1

3" Surround Trims

ST-3-BLK	Black - 31 3/4" W x 25 1/2" H x 1 1/2" D	3.2 / 1.4
ST-3-SS	Stainless Steel - 31 3/4" W x 25 1/2" H x 1 1/2" D	3.2 / 1.4
ST-3-BLKP	Black with Polished Brass Accents - 31 5/8" W x 27" H x 1 1/2" D	3.2 / 1.4

Twin Screen Door (as shown above)

ET26-2DR-BLK	Twin doors; Black - 31 7/8" W x 27" H x 1 1/4" D	16 / 7.2
--------------	--	----------

Model	Description	Dimensions (WxHxD)	Weight (lb/kg)
-------	-------------	--------------------	----------------

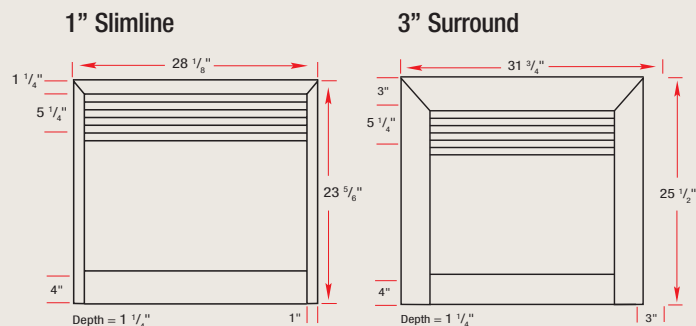
1" Slimline Trims

SOT-1-BLK	Black	32 1/8" x 26 3/4" x 1 1/4"	9.5 / 4.3
SOT-1-PB	Polished Brass	32 1/8" x 26 3/4" x 1 1/4"	9.5 / 4.3
SOT-1-SN	Satin Nickel	32 1/8" x 26 3/4" x 1 1/4"	9.5 / 4.3

3" Surround Trims

ET30-3-BLK	Black	35 3/4" x 28 1/2" x 1 1/4"	9.5 / 4.3
ET30-3-SS	Stainless Steel	35 3/4" x 28 1/2" x 1 1/4"	9.5 / 4.3

Trim Dimensions for 26"



Trim Dimensions for 30"

